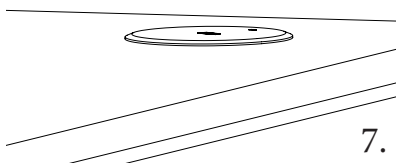
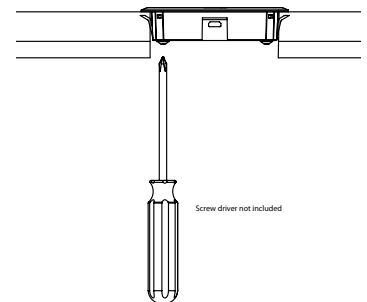
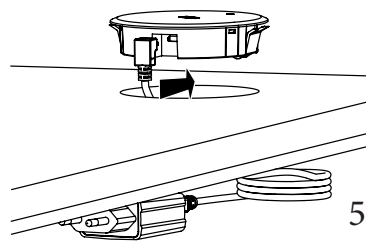
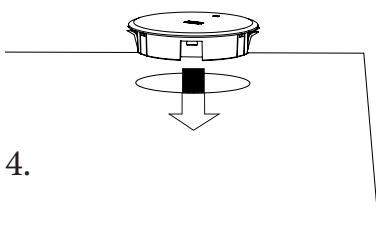
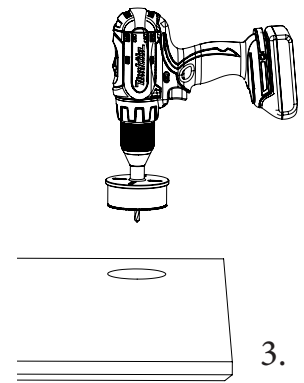
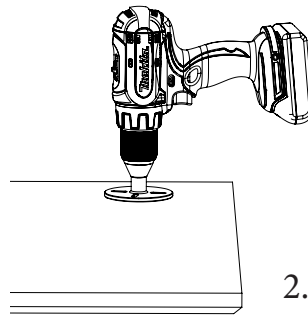
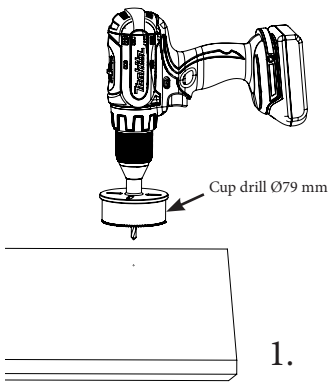
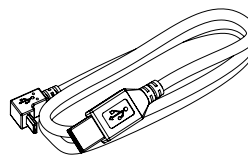


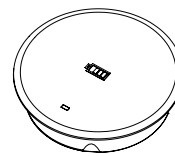
Manual for installation of wireless charger



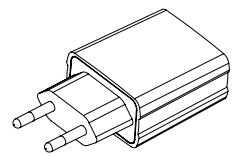
Items included in box:



USB cable



Wireless charger



Power plug for USB

Warning!

1. If you are using implantable medical device (for instance implantable pacemaker), please consult your doctor before using this wireless charger.
2. Please DO NOT put the wireless charger in the water or any other liquid.
Please DO NOT touch the electrical outlet or USB plug with wet hands.
Please DO NOT use the wireless charger in temperatures below -20°C and above +40°C.
Please DO NOT use the wireless charger in direct sunshine and high temperature.
Please keep dust away from the wireless charger and power plug.
Please keep away from slippery spot.
Please keep it away from magnetic card, high accurate equipment when using.

Features:

Standard: WPC1.1
 Application: all Qi-enabled wireless charging product within power consumption 5W.
 Input Voltage: DC5V, 1.5A
 Output : 5V 1A
 Effective Distance: 4-6mm
 Transferring Rate: ≥70
 Charging Mode: Electronic Magnetic inductive
 Working Frequency: 100-200Khz
 Accessories: USB cable 1500mm, power plug for USB, wireless charger, manual.



NB!

Items needed during installation, not included in box:
 power drill and screw driver