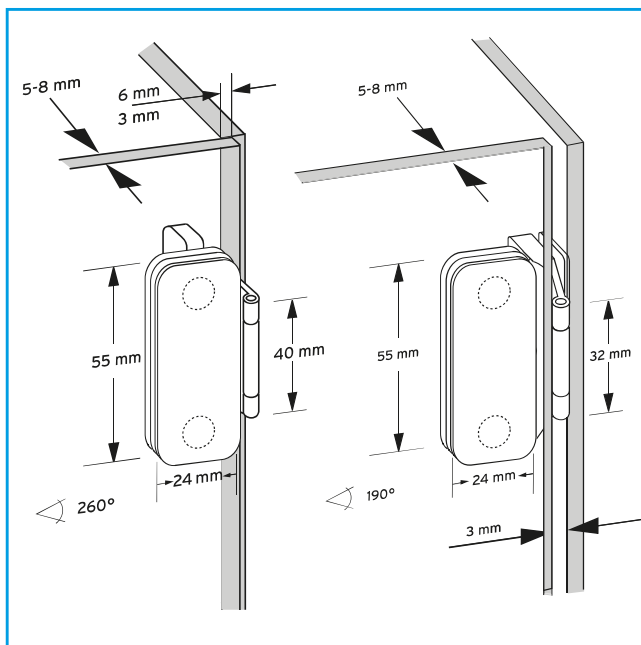
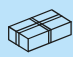

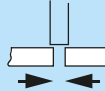
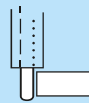
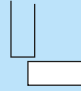
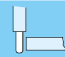



GLASS DOOR HINGES

- For glass to glass applications
- For overlay and inset doors
- Secure fastening with through-holed glass
- Visible 5 mm knuckle
- Short, flat hinge arm
- Elegant front plates
- With catch
- Solid zinc die cast execution
- Vertical adjustment ± 1 mm
- Lateral adjustment -1 mm



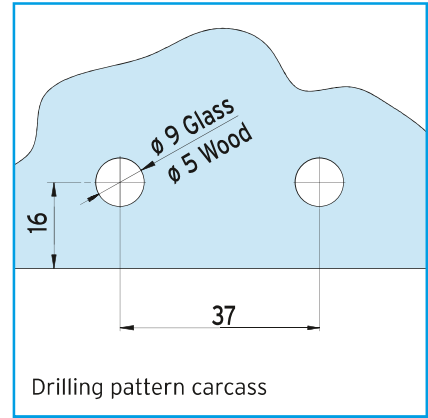
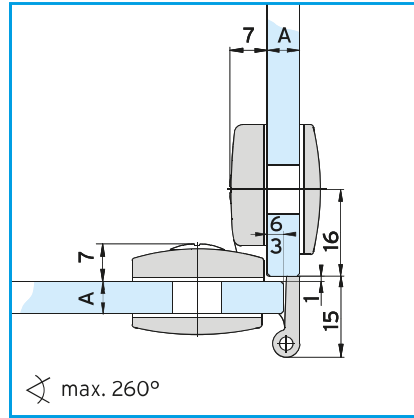
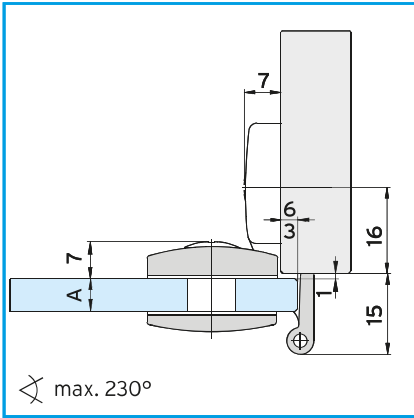
						STANDARD	
334GG51 N / MH / S		20	260°	3	6 / 3 6 / 6	/ 5-8	EN
336GG51 N / MH / S		20	190°	3	inset	/ 5-8	EN

Drilling patterns and further technical data see page 20

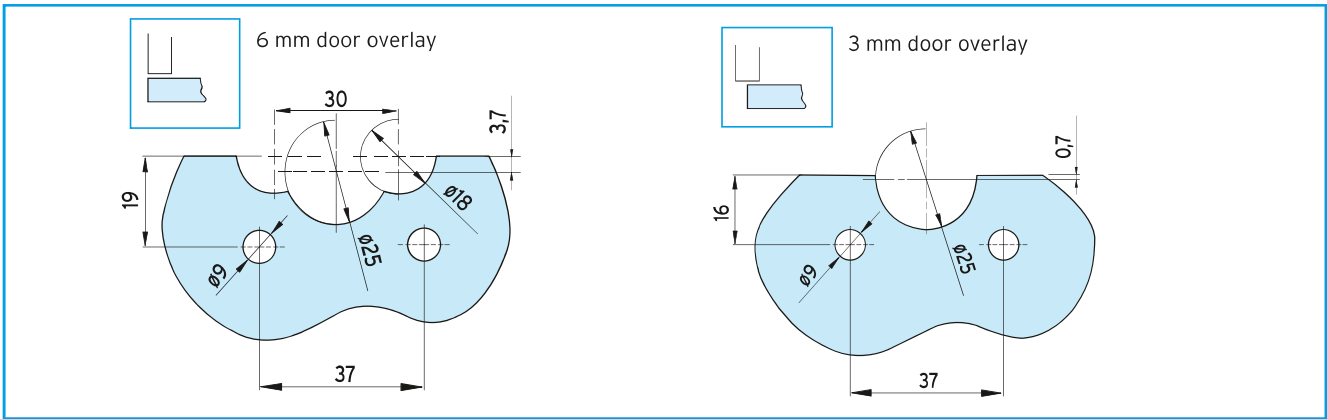
GLASS DOOR HINGES

Technical information

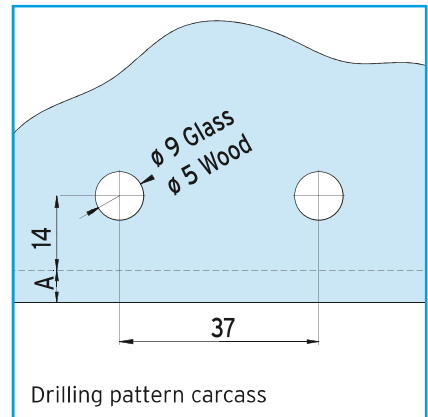
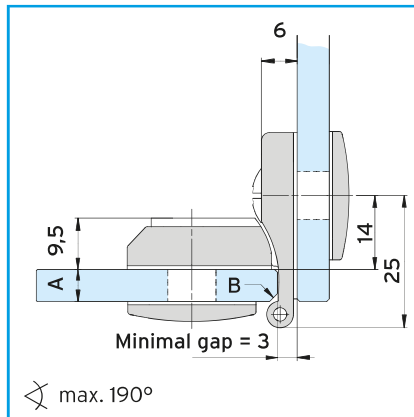
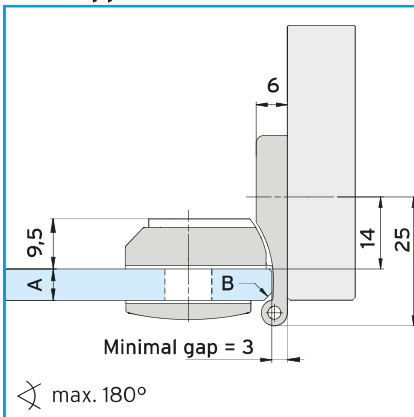
Overlay application



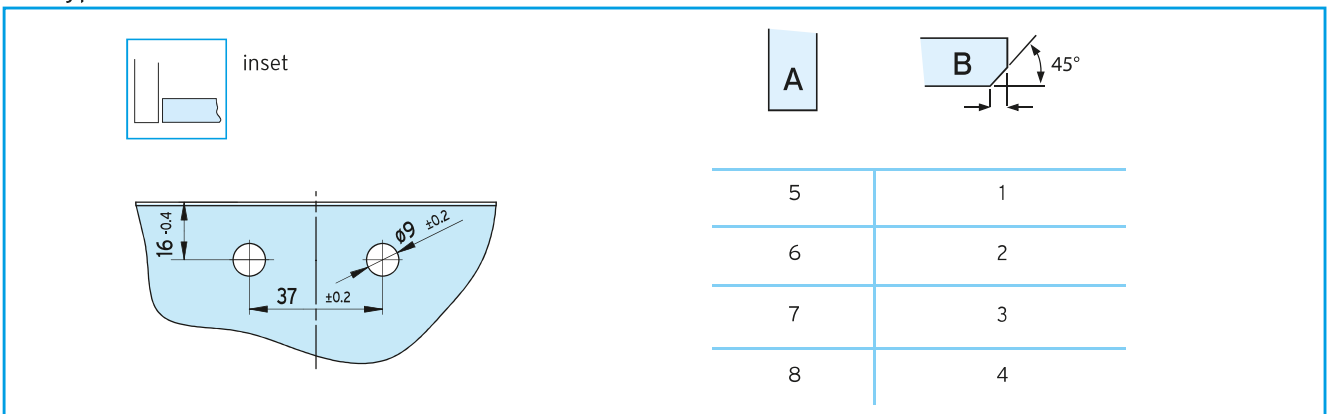
Drilling pattern door



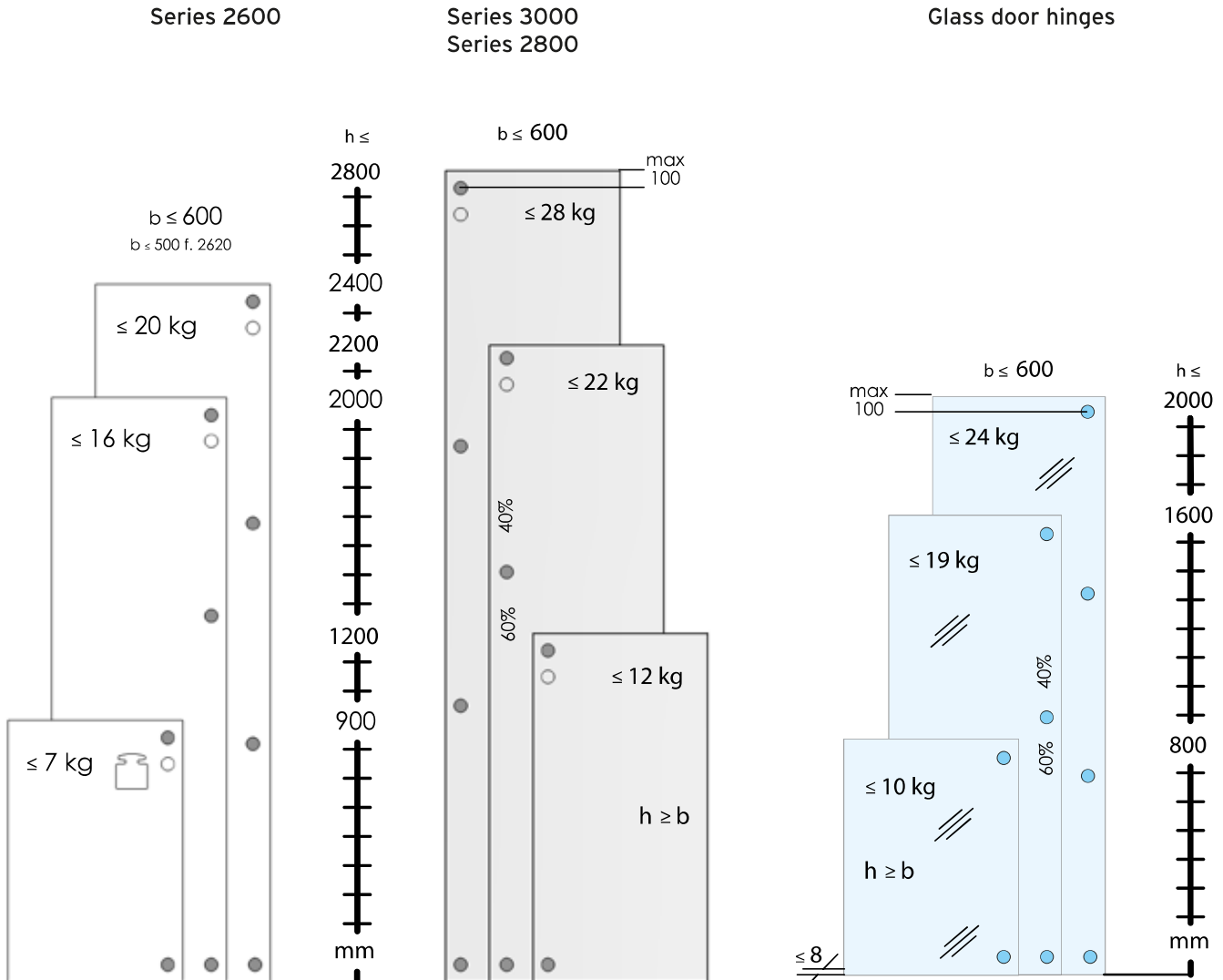
Inset application



Drilling pattern door



Number of hinges per door



Single pivot hinges certified in accordance with ANSI Grade 1 and EN 15570 Level 3

		ANSI Grade 1 (Internationally the hardest standard for furniture hinges)	EN 15570 Level 3	EN 15570 Level 2
Durability test				
Door weight	kg	18	7	7
Number of cycles		100.000	80.000	40.000
Door sag	mm	0,76	3,0	3,0
Security test				
Additional weight	kg	72	30	20
Door sag	mm	0,76	No door drop	No door drop